

IRP1083D 8U Din Rail Panel Installation



Included in this package

(1) 8U Din Rail Main Panel.

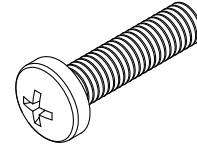
(2) 8U Ear Bracket

(2) PVC Wire Duct

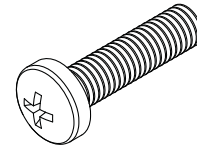
(14) M4 x 8 Screws



(4) #10-32 x 5/8 Rack Screws



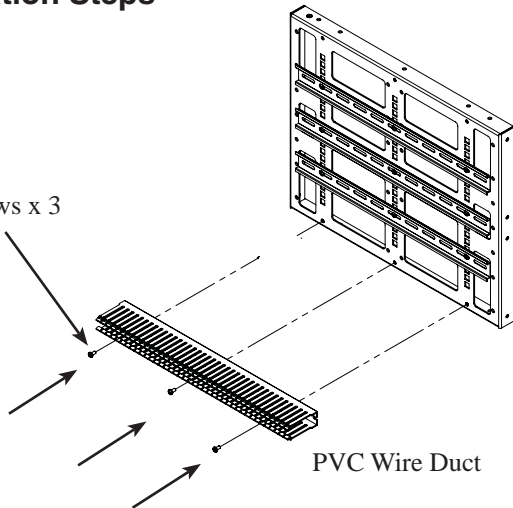
(4) #12-24 x 5/8 Rack Screws



Installation Steps

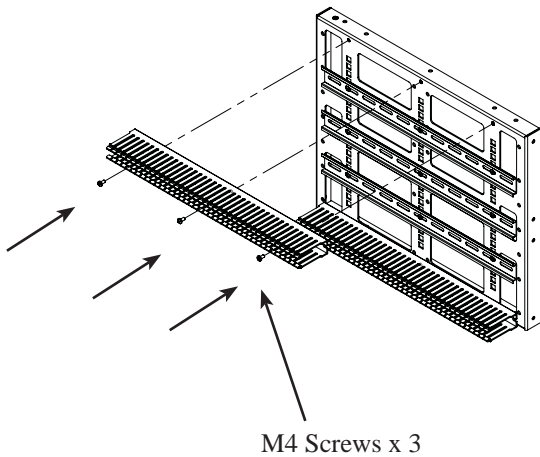
Step 1

M4 Screws x 3

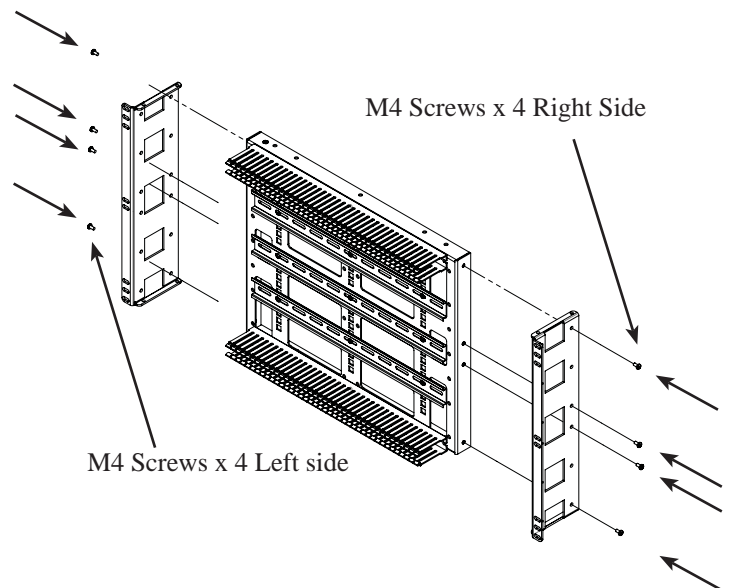


Step 2

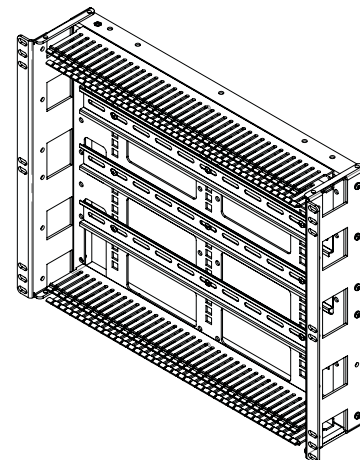
PVC Wire Duct



Step 3



Step 4



Assembly Complete.